



US00D507107S

(12) **United States Design Patent** (10) **Patent No.:** **US D507,107 S**
Goldberg (45) **Date of Patent:** **** Jul. 12, 2005**

- (54) **MESSENGER BAG**
- (75) **Inventor:** **Brandy Isadora Goldberg**, Paradise Valley, AZ (US)
- (73) **Assignee:** **Bisadora, LLC**, Phoenix, AZ (US)
- (**) **Term:** **14 Years**

Primary Examiner—Louis S. Zarfaz
Assistant Examiner—Monica A. Weingart
 (74) *Attorney, Agent, or Firm*—Michael S. Neustel

(57) **CLAIM**

The ornamental design for a messenger bag, as shown and described.

- (21) **Appl. No.:** **29/205,764**
- (22) **Filed:** **May 18, 2004**
- (51) **LOC (8) Cl.** **03-01**
- (52) **U.S. Cl.** **D3/246**
- (58) **Field of Search** D3/232, 233, 234, 243, 244, 245, 246, 303, 315, 247, 249; 150/110, 111, 112, 118, 900; 190/100, 106, 109, 115, 903; 383/70, 71, 72, 75, 76, 117

DESCRIPTION

- FIG. 1 is a front view of a messenger bag showing my new design.
- FIG. 2 is a rear view of a messenger bag showing my new design.
- FIG. 3 is an upper perspective view of a messenger bag showing my new design.
- FIG. 4 is an upper perspective view of a messenger bag showing my new design.
- FIG. 5 is a left side view of a messenger bag showing my new design.
- FIG. 6 is a right side view of a messenger bag showing my new design.
- FIG. 7 is a bottom view of a messenger bag showing my new design; and,
- FIG. 8 is a top view of a messenger bag showing my new design.

- (56) **References Cited**
- U.S. PATENT DOCUMENTS**
- D147,547 * 9/1947 Graham D3/243
- D245,461 * 8/1977 Jones, Jr. D3/243
- D299,384 * 1/1989 Donnor D3/246
- 4,989,656 A * 2/1991 Derfler 150/110
- D343,733 * 2/1994 Brask D3/249
- D354,394 * 1/1995 Novak D3/246

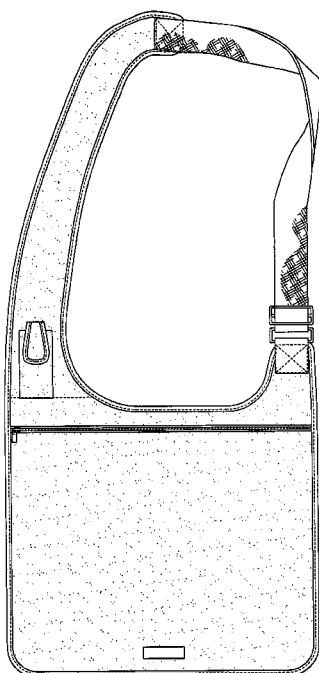
Any shading and cross-hatching are not features of the design but are utilized to illustrate the surface contours of the messenger bag design in the drawings.

OTHER PUBLICATIONS

Pictures of prior Messenger Bag Design—Sold by Bisadora, LLC.

* cited by examiner

1 Claim, 8 Drawing Sheets



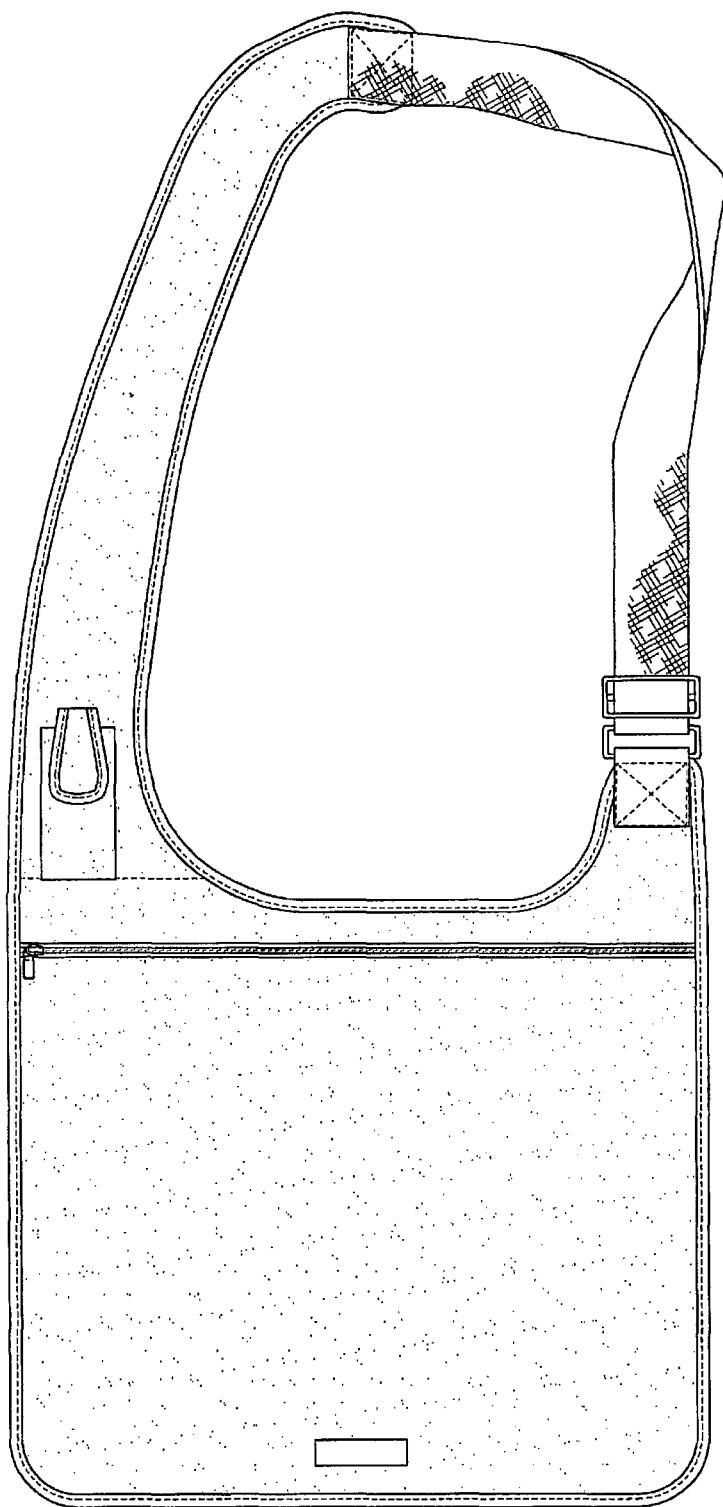


FIG. 1

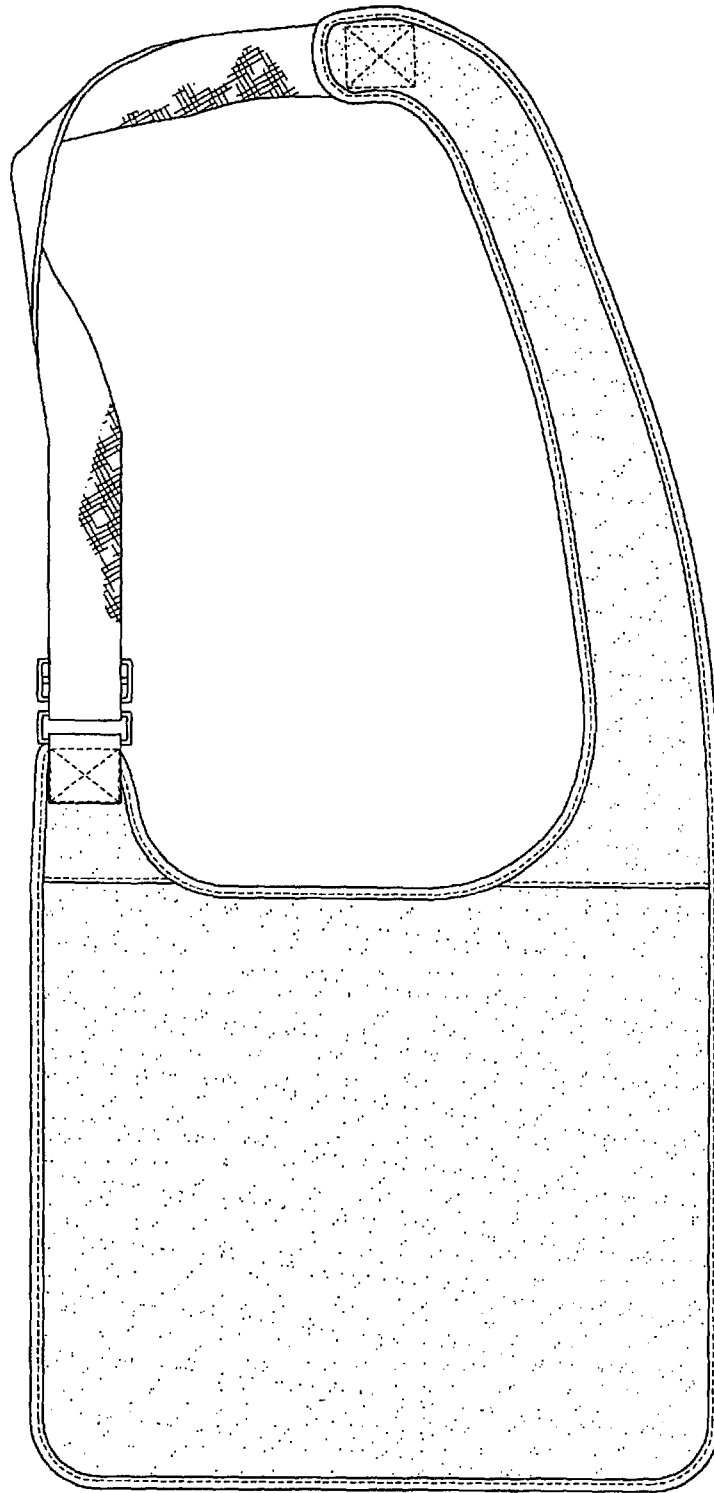


FIG. 2

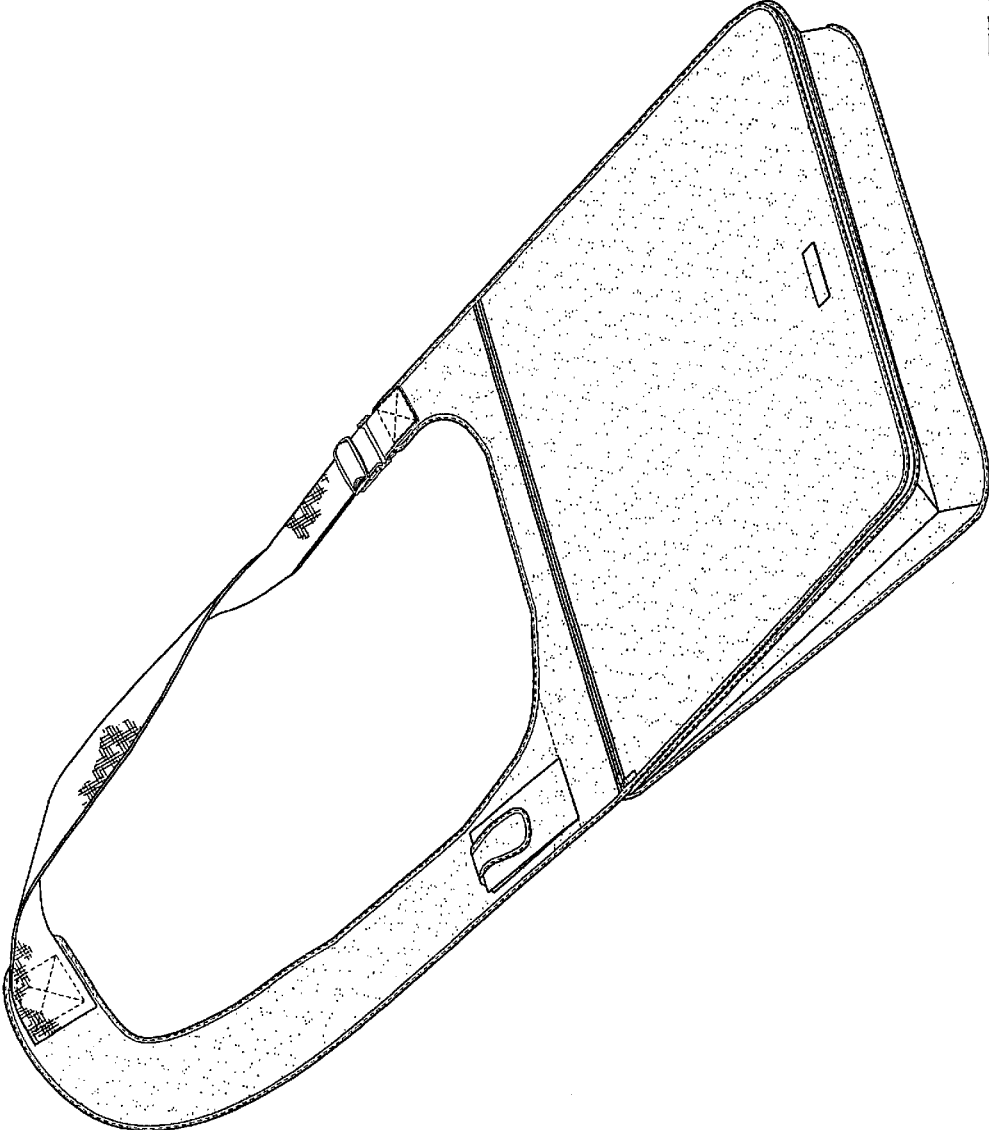


FIG. 3

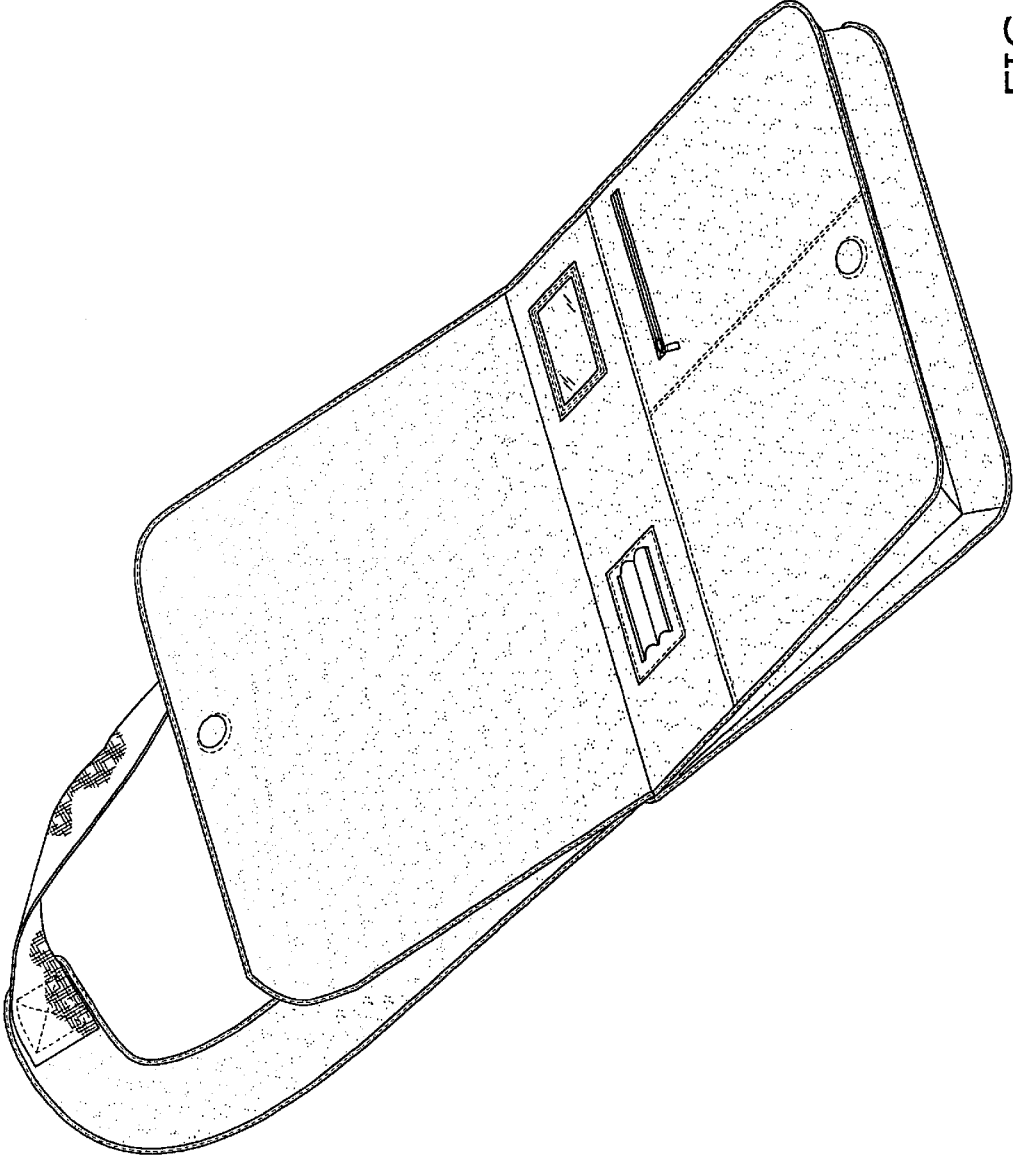


FIG. 4

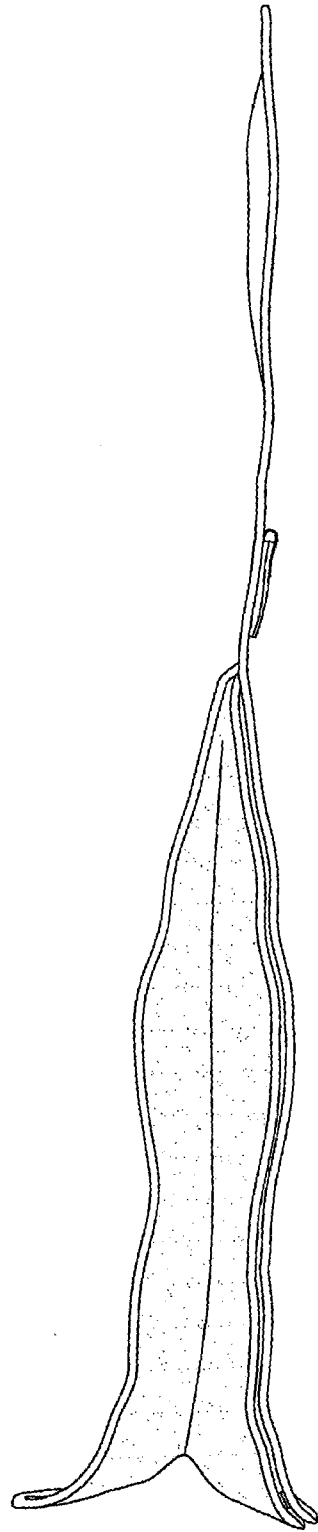


FIG. 5

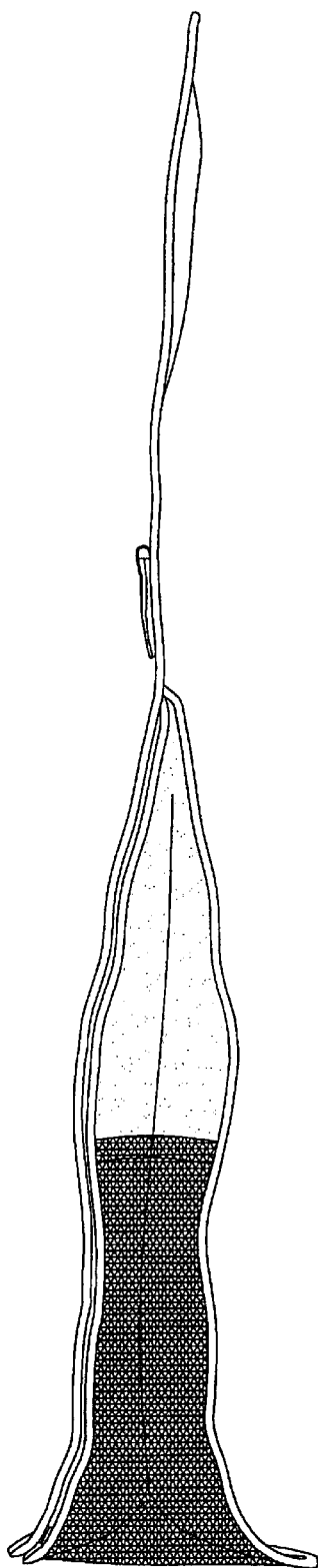


FIG. 6

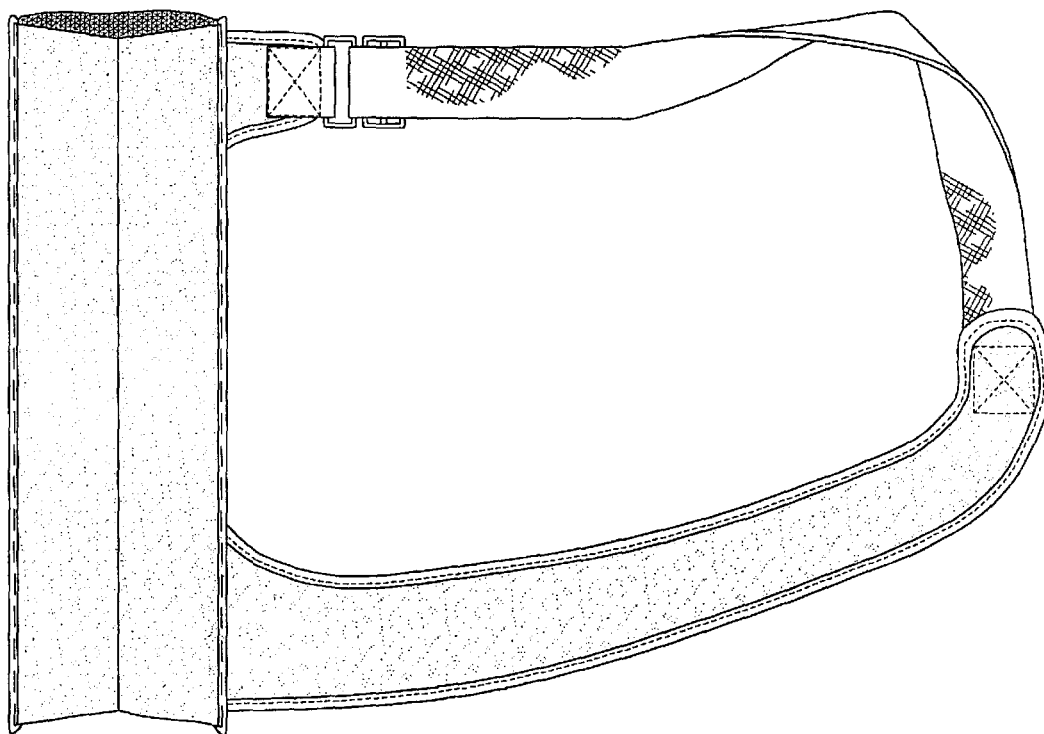


FIG. 7

FIG. 8

